

Jet Clean Mobile Collectors

Portable Cartridge Dust Collectors Fume Extractors

- X Ultra-Low Maintenance**
- X Plug-n-Go Operation**
- X Nominal 900-1600 CFM**
- X 99.9% Filter Efficiency
Down to 0.5 Microns**
- X 360° Extraction Arm
for Precise Positioning**
- X Quiet 72 dBA Operation**
- X 1.5HP & 3HP
High Pressure
Motor Blower 120v**
- X Dual Cartridge Filters
183 Sq. Ft. Filter Area**
- X Pulse-Jet Filter Cleaning**



**Toll Free (USA)
1-877-844-3293**

www.industrialairsolutions.com
infoez@industrialairsolutions.com



This portable cartridge dust and fume collector is designed as a cost-effective, highly efficient, solution for **OSHA compliant** filtering of dusts, fumes, smoke, gasses, and vapors.

Maintaining filters at optimum efficiency has always been a problem for traditional collectors, especially for welding fumes and dust. The **JET CLEAN** offers a state-of-the-art system — a portable unit with long-lasting cartridges and a manual compressed air cleaning system.

Powerful, Quiet

Extremely quiet plug-n-go operation, combined with incredible maneuverability and a powerful 1.5 or 3 horsepower motor (for up to an amazing 1600 CFM airflow), make the **JET CLEAN** an ideal solution for a wide variety of process applications, including welding, sanding, grinding and deburring..

Effective Filtration

Fumes are captured by the patented **EVOLUTION NO-SMOKE extraction arm**, travelling through the inlet plenum where heavier particulate drops from the air stream. The contaminated air then passes through a metal pre-filter that acts as a **spark arrester**, and is finally filtered through **dual high-efficiency cartridges**, returning clean air is to the environment.



3 Horsepower Jet Clean with
8 inch arm or dual 6 inch arms



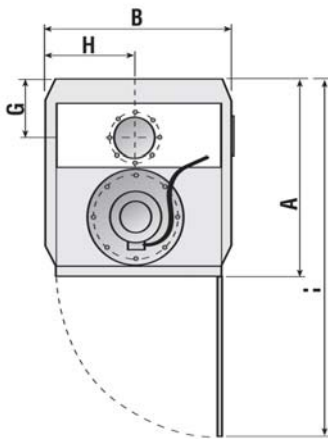
1.5 Horsepower Jet Clean with
6 inch arm

Jet Clean 1.5 & 3.0

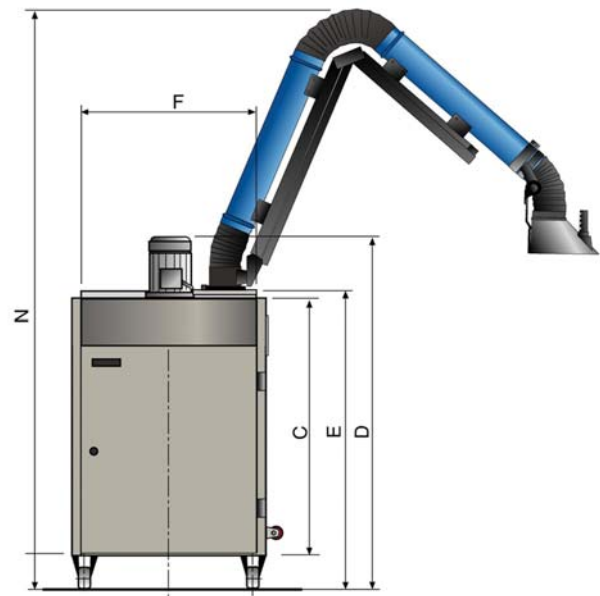
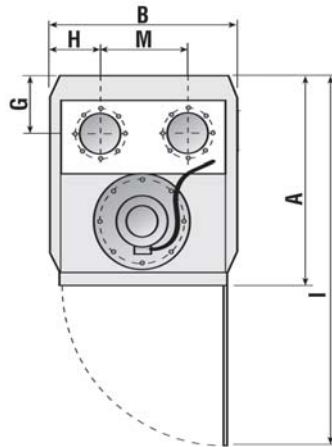
<i>Jet Clean</i>	1.5	3.0
Power	1.5 HP	3.0HP
Voltage	120V 60 Hz 1 PH 230/460V 60 Hz 3 PH	120V 60 Hz 1 PH 230/460V 60 Hz 3 PH
RPM	3400	3400
Sound Level	71 dB (A)	72 dB (A)
Capacity with one arm	1000 cfm	1890 cfm
Capacity with two arms	N/A	1800 cfm
Filtering area	183 Sq. ft.	183 Sq. ft.
Number of cartridges	2	2
Spark arrester dimensions	28.5"x19"x1.6"	28.5"x23"x1.6"
Filtering efficiency	99.9%	99.9%

DIMENSIONS

Jet Clean 1.5



Jet Clean 3.0



		A	B	C	D	E	F	G	H	I	M	N
Inches	Jet Clean 1.5	35.3	28.7	39.1	53.4	45.2	26.0	10.2	14.4	61.8	-	86.6
	Jet Clean 3.0	39.6	28.7	39.1	57.3	45.2	26.0	10.2	7.9	65.9	13.0	86.6