



# HURRICANE 828

## **HURRICANE 828 SPECIFICATIONS**

### • TRAILER MOUNTED

Chassis - 8000# Tri-axle, 4" x 6" rectangular tube frame, 8'4" x 21' with six, 8 lug P225R-16 fourteen ply, steel belted radials. DOT lighting with electric brakes. Enclosed trailer light wiring harness, sealed junction boxes.

### • POWER SOURCE

John Deere turbo-charged diesel engine, 325 HP @ 2400 RPM

### • P.T.O (clutch)

Triple disc, 14" with iron plates

### • VACUUM AIR FLOW (blower)

Roots Dresser 5660 CFM capable of 28" Hg, direct drive through flex coupling, with guard

### • FILTRATION SYSTEM

Cyclonic separation. Baghouse - 37 Teflon coated, quick change filter cartridges with 5 station continuous reverse pulse air cleaning. High efficiency blower safety filter.

### • HYDRAULICS

3.5 GPM, 2200 PSI, direct drive

### • ENCLOSURE

Lockable steel shroud over all major components

### • INSTRUMENT PANEL (fully enclosed)

12 volt key start, Murphy safety switch (low oil pressure/ high water temperature-auto shut down)

Gauges: oil pressure, air pressure, water temperature, ammeter, tachometer with hour meter, air pulse on/off switch, material vacuum & dump time controls

### • AIR COMPRESSOR

Direct drive Midland twin cylinder, water cooled and oil pressure fed. Midland air dryer with electronic heater. AMSE certified air tank mounted on vibration isolators.

## **STANDARD EQUIPMENT**

- Paint-one color (custom lettering available)
- Wet or dry operation
- Twin hydraulic lift legs to level trailer
- Automatic cone vibrator
- 100 gallon fuel tank
- Auxiliary air hose 120 PSI
- Tool box
- Emergency stop button
- Adjustable pintle hook
- Larger hopper
- Larger baghouse with 8" inlet

## **OPTIONS**

- Skid mount
- Cold weather package
- Auger in hopper (cone)
- Slide gate discharge
- Manhole on baghouse
- Spare tire & carrier
- Roof top hoppers
- HEPA filtration

Information in this document  
is subject to change without notice.



**Industrial Air Solutions, Inc.**  
6300 Limousine Drive, Suite 120  
Raleigh, NC 27617  
**Toll Free (USA) 877-844-3293**  
Fax 919-518-1667  
E-mail [info@industrialairsolutions.com](mailto:info@industrialairsolutions.com)  
[www.industrialairsolutions.com](http://www.industrialairsolutions.com)

29'6"



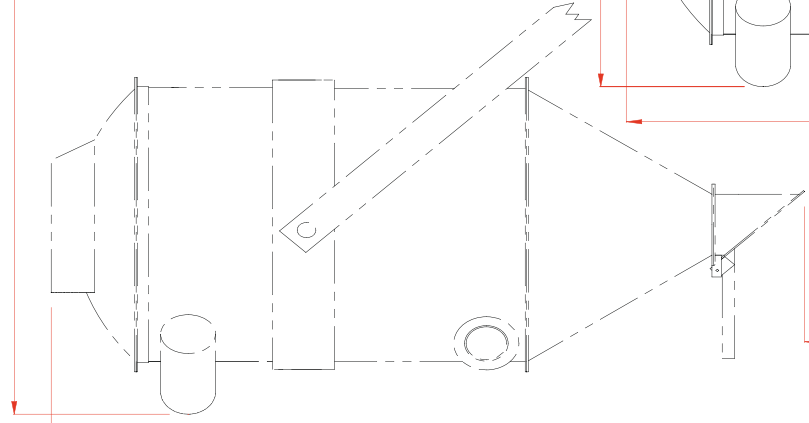
# HURRICANE 828

## DIMENSIONS

WEIGHT 16,700 lbs.

WIDTH 8'3"

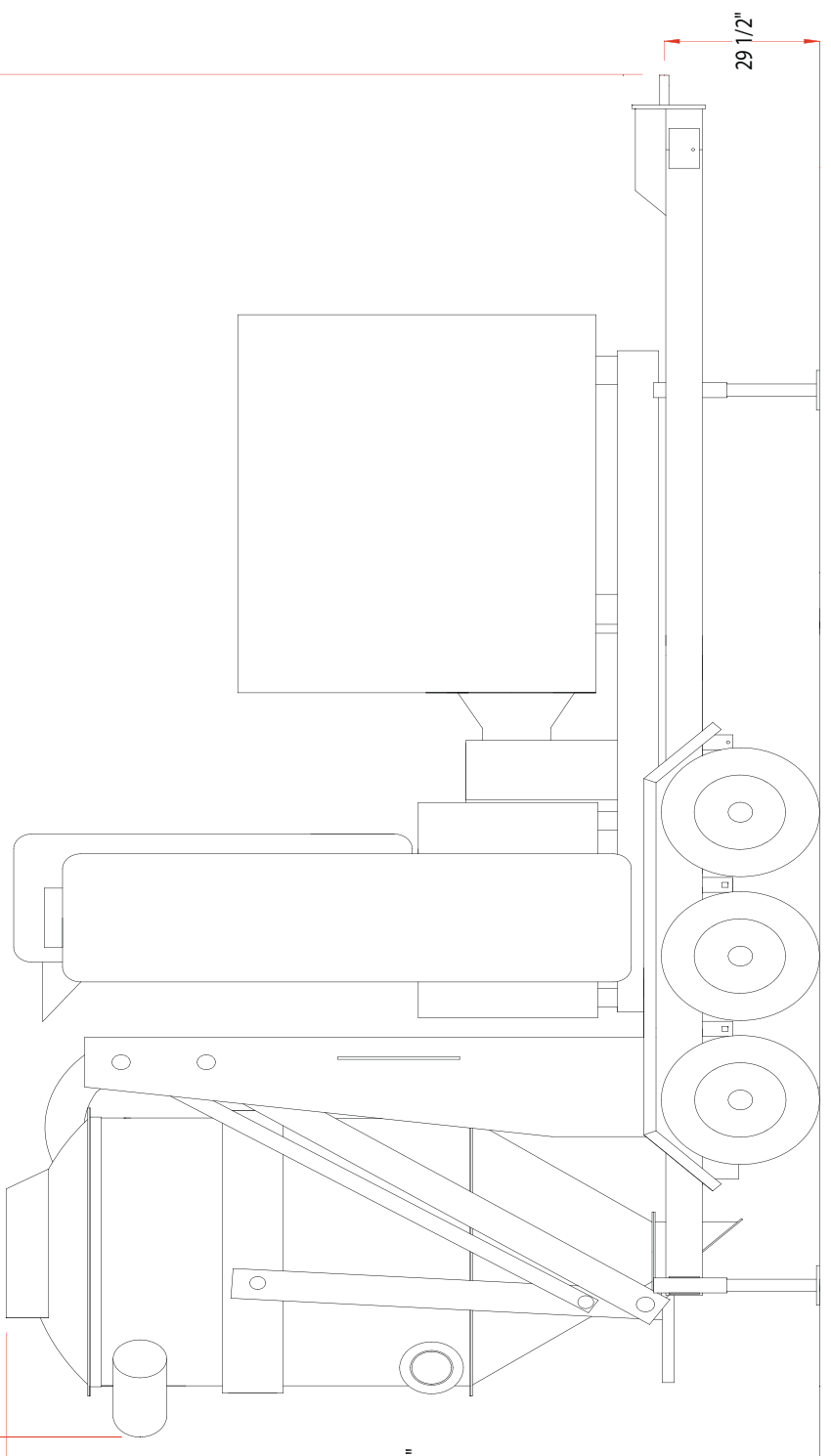
21'2"



19'3"

11'7"

8'9"



29 1/2"