

PROJECT:

FOR APPROVAL

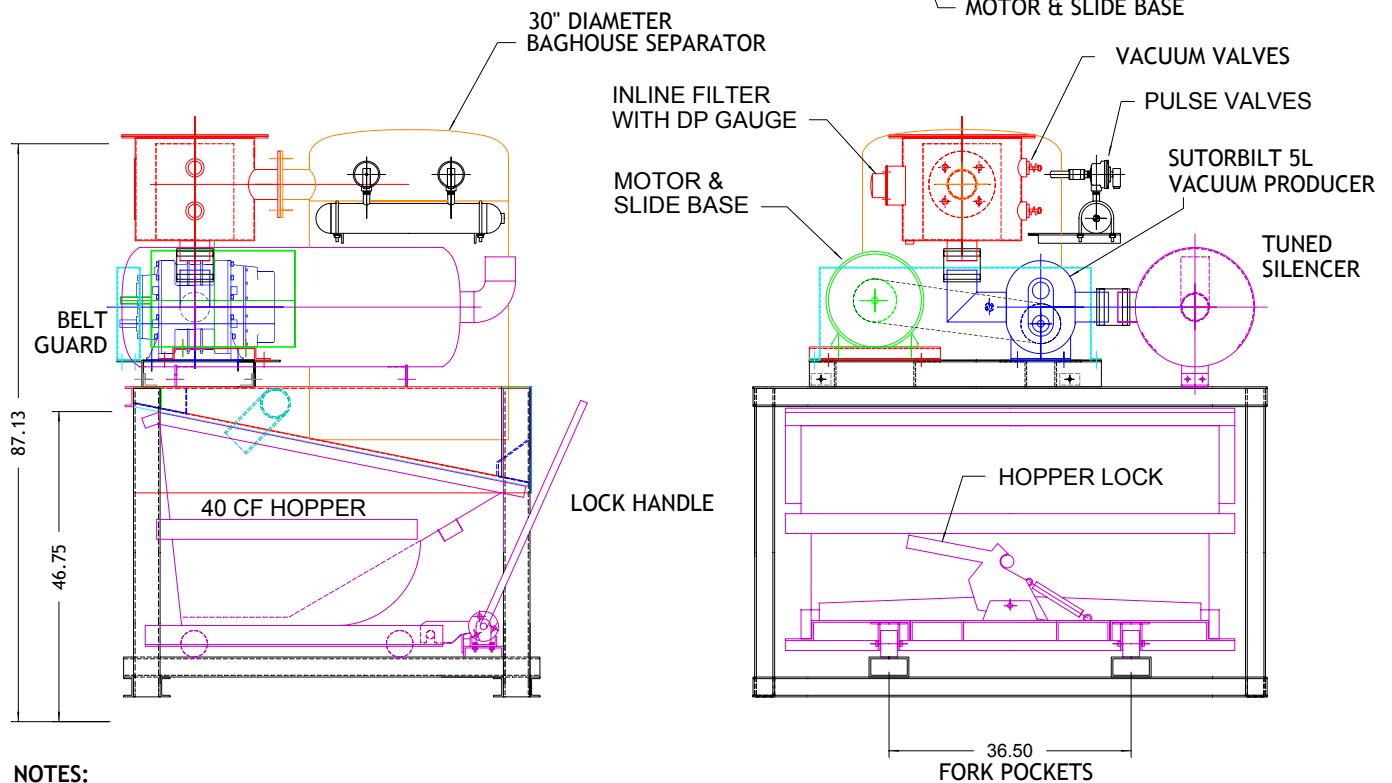
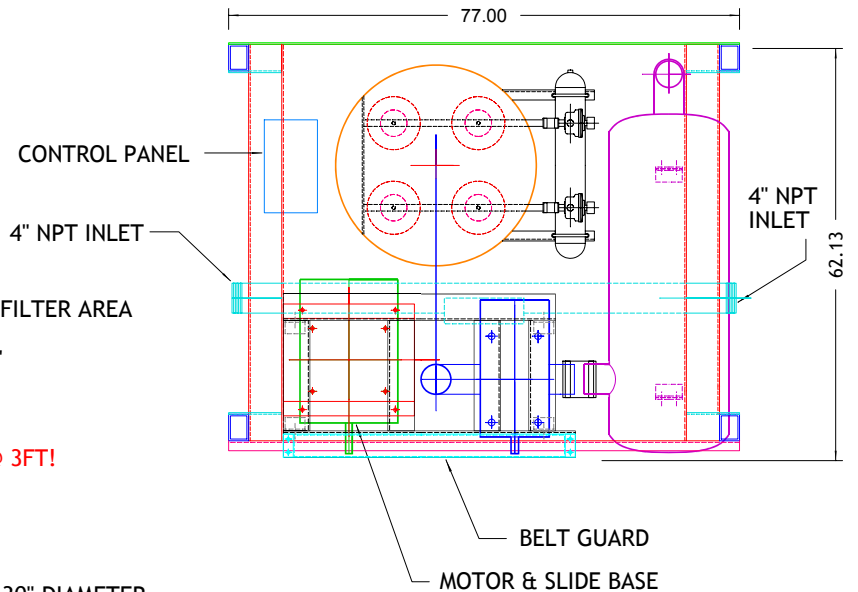
CERTIFIED

# PowerLift MODEL PL15p PORTABLE VACUUM SYSTEM

**STANDARD FEATURES:**

1. 360 ICFM @ 12" Hg. CONTINUOUS
2. SUTORBILT 5L VACUUM PRODUCER
3. 15 HP LEESON MOTOR
4. FOUR (4) CARTRIDGES WITH TOTAL 244 SF FILTER AREA
5. 99.9% AT 1.0 MICRON, STANDARD
6. AUTOMATIC PULSE CLEANING "ON DEMAND"
7. 35.5 SF INLINE FILTER, STANDARD
8. 40 CF MATERIAL STORAGE
9. SILO TYPE, ABRASION RESISTANT INLET
10. CUSTOM TUNED SILENCER, UNDER 85 DBA @ 3FT!

FOUR (4) CARTRIDGE FILTERS  
244 SQ FT SURFACE AREA



**NOTES:**

1. SUITABLE FOR WET AND DRY PICKUP
2. EXPECT 85 - 110 LBS/MIN PICKUP WITH 2.0" HOSE 25 FT LONG
3. WILL SUPPORT A FIXED PIPE NETWORK UP TO 400 FT LONG WITHOUT MODIFICATION
4. PAINTED PRIME BASE COAT AND TWO TOP COATS OF ENAMEL

**WARNING: VACUUM PRODUCERS THAT CLAIM TO ACHIEVE 18" Hg. CAN \*NOT\* MAINTAIN VACUUM AT THAT LEVEL WITHOUT OVERHEATING!  
ENSURE YOU ASK FOR A WRITTEN PERFORMANCE GUARANTY THAT SPECIFIES 1 HOUR SEALED RUN TIME**

Industrial Air Solutions  
Raleigh, NC 877-844-3293

01			DATE:	DRAWING No.	Rev.
00	10 DEC 02	FOR REVIEW	DRAWN BY: KRW	<b>ND2002170</b>	<b>00</b>
Rev.	Date		SCALE: NTS	PAGE 1 OF 1	