

# TOMCAT

INDIANA STATE CHAMPIONS

1980	BOB MATYJAK	TRACK
1981	TONY GILKARD	TRACK
1982	BOB GIBB	SWIMMING
1983	BOB GIBB	TRACK
1984	BOB GIBB	TRACK
1985	BOB GIBB	TRACK
1986	BOB GIBB	TRACK
1987	BOB GIBB	TRACK
1988	BOB GIBB	TRACK
1989	BOB GIBB	TRACK
1990	BOB GIBB	TRACK

2017 Series Scrubber  
2023 Series Scrubber

**Industrial Air**  
**SOLUTIONS**  
inc.



## FAMILY OF COMMERCIAL CLEANING EQUIPMENT (21" - 48")

**AUTOMATICS**



**RIDER SCRUBBERS**



**SCRUBBER/SWEEPERS**



**SWEEPER**



**TOMCAT** scrubbers are designed and built to clean schools, malls, warehouses, hospitals or any application where extra cleaning performance is desired and durability is demanded.

The **TOMCAT 2017** series and **2023** series come standard with a class leading battery package for superior run time. Each platform is available with two different scrub heads and is designed to withstand the daily use of contract cleaning.

With up to a 23" scrub path Tomcat offers more cleaning power and productivity than other machines. The disk deck is protected by a heavy steel guard and the brush is gimbal-mounted, which improves cleaning on uneven floors.

The heavy steel construction, 100% stainless fasteners and rollers offer superb protection. While providing the toughness you are looking for, your operators will find them easy to maneuver into tight areas, and simple to service. They easily pass through doors, into congested areas, "check out lanes", and small elevators.

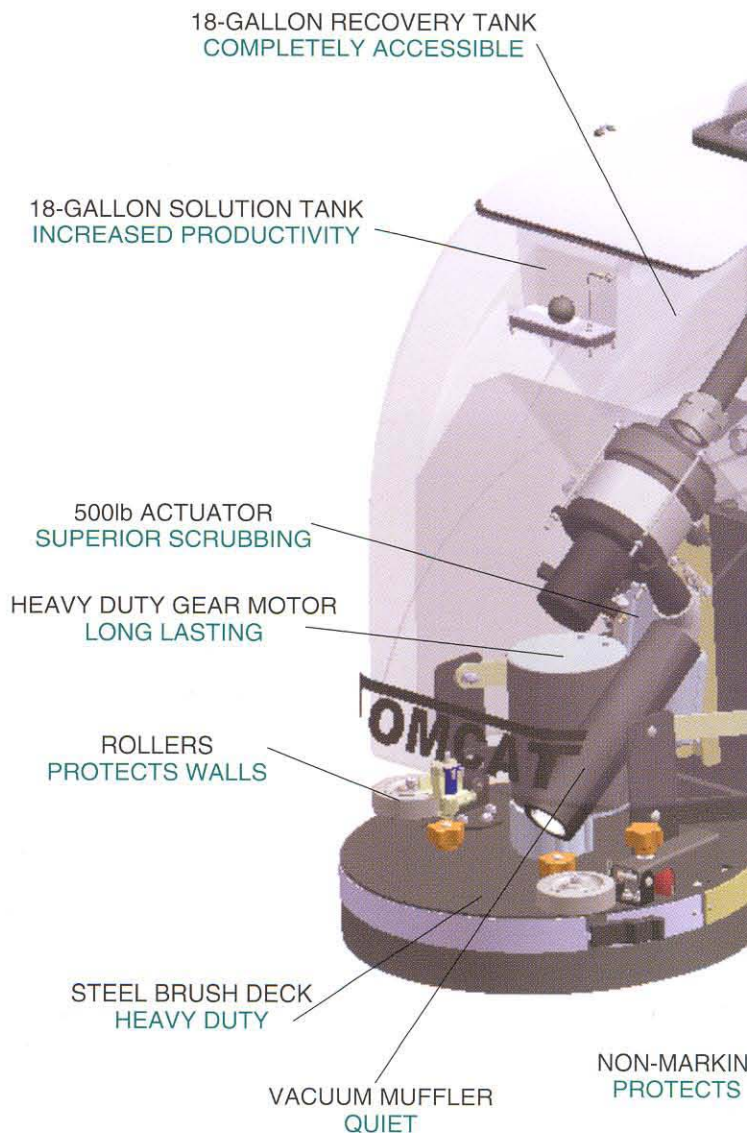
We would be pleased to give you an opportunity to see one in person.

## PERFORMS GREAT ON TILE



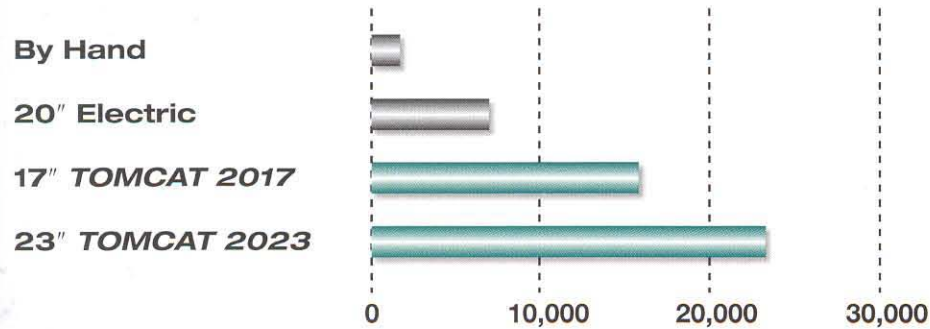
## UNMATCHED

## QUIET OPERATION

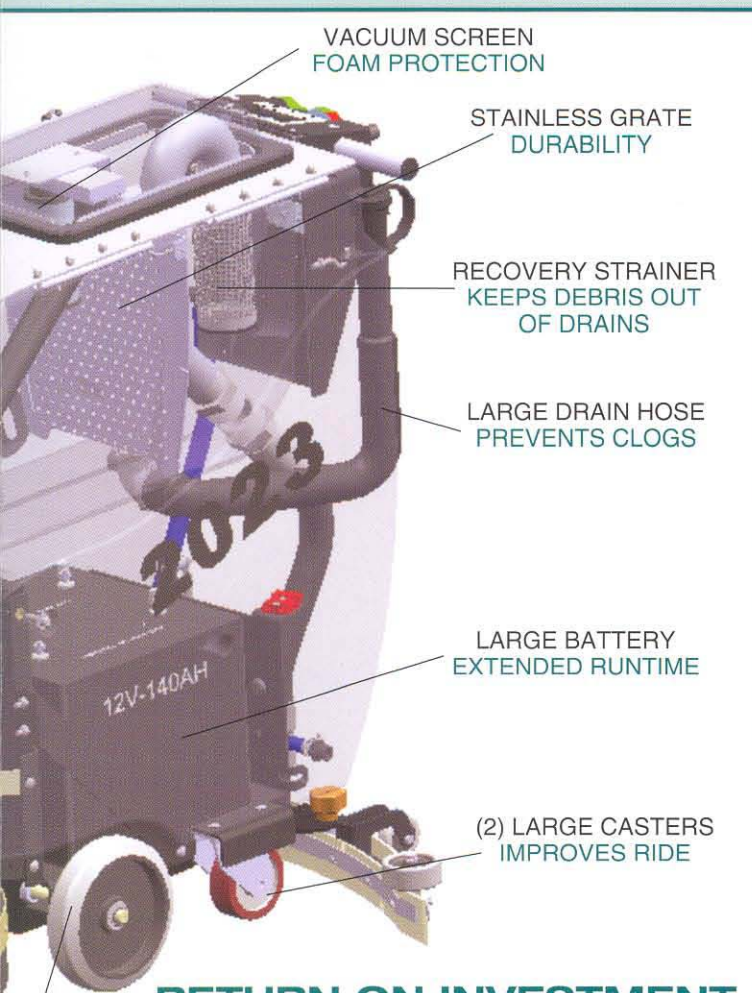


## TANK TIPS BACK

### Productivity Comparison (square feet/hour)



## BUILD QUALITY



The **2017** and **2023** both have non-marking tires and casters to protect the floor. The main tires and caster wheels are oversized, which permits better clearance and navigation of obstacles. **TOMCAT'S** four point stance offers more stability than competitors with only three. The transport speed can be adjusted and oversized motors are standard, for superior cleaning.

**TOMCAT** continues to build equipment to last. You will notice that our axle, casters, scrub deck, squeegee linkage, and battery package all bolt directly to a 3/16" steel frame. Although our tanks have the thickest walls in the industry, we do not transmit any structural forces to them. **TOMCATS** are built with 100% stainless fasteners, which simplifies service in the future.

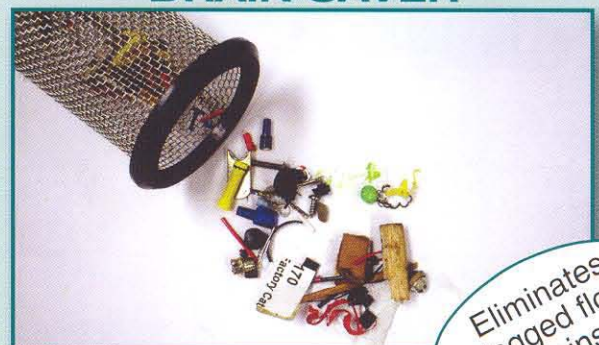
Our *Central Command* system includes a Battery Gauge, Brush Pressure Indicator and hour meter as standard equipment.

This unit is quiet, and can clean over 75,000 sq. feet when properly equipped.

## RETURN ON INVESTMENT

AREA Sq. Ft.	TIME REQUIRED TO CLEAN		
	By Hand	Model 2023-23	Weekly Savings
10,000	7 hrs	0.5 hrs	\$ 220.00
25,000	17 hrs	1.0 hrs	\$ 550.00
75,000	50 hrs	3.0 hrs	\$1,650.00
100,000	70 hrs	4.0 hrs	\$2,200.00

## DRAIN SAVER



Eliminates  
clogged floor  
drains

We're building our reputation by providing the toughest, best-engineered, highest-value machines our industry can produce. We make sure that in every market in which our "commercial" dealers do business, they maintain a factory-trained service department with a vested interest in our customers' long-term satisfaction.

We offer a line of cleaning equipment that includes floor machines, sweepers, burnishers and auto scrubbers, in both walk-behind and rider models. All our models are practical, rugged machines that are sensibly priced.

## GUARANTEED SERVICE

We guarantee to supply you with the spare parts you need within three work days – or they're yours free. This guarantee applies only to the 48 contiguous states of the United States, at the customer's special request, and to parts that can be shipped by courier.



Model	2017	2023
<b>Body Construction</b>		
Tank Construction:	3/8" (Poly)	3/8" (Poly)
Frame Construction:	3/16" (Steel)	3/16" (Steel)
Drive Wheel:	(2) 9" dia. x 3"	(2) 9" dia. x 3"
Casters:	(2) 4" dia. x 2"	(2) 4" dia. x 2"
Dimensions (L x W x H):	42" x 18" x 40"	48" x 18" x 40"
Width (squeegee):	32" or 35"	32" or 35"
Weight (w/batteries):	334 pounds	406 pounds
<b>Brush/Pad System</b>		
<i>Disk</i>		
Brush/Pad Size:	2017-17: (1) 17" 2017-20: (1) 20"	2023-20: (1) 20" 2023-23: (1) 23"
Motor Power:	(1) .75 hp	(1) .75 hp
Motor Speed:	200-rpm	200-rpm
Brush Pressure:	0-150 pounds	0-150 pounds
Pressure Settings:	Fully Variable	Fully Variable
<b>Battery System</b>		
Batteries (standard):	(2) 105 AH	(2) 140 AH
Batteries (optional):	(2) 140 AH	(2) 205 AH
Battery Run Time:	Up to 3 hours	Up to 4 hours
Charger (110v/Automatic):	24 volt/15 amp	24 volt/18 amp
<b>Solution System</b>		
Solution Tank Capacity:	17 gallons	18 gallons
Solution Flow Rate:	0 - .75 gal/min.	0 - .75 gal/min.
Solution Filter:	Inline/Stainless	Inline/Stainless
<b>Recovery System</b>		
Recovery Tank Capacity:	17 gallons	18 gallons
Vacuum Motor:	0.75 hp, 3-stage	0.75 hp, 3-stage
Water Lift:	68"	68"
Airflow (cubic feet/min):	72 cfm	72 cfm
Recovery Drain Hose:	2.0" diameter	2.0" diameter
Recovery Strainer:	60 cubic inches	60 cubic inches
Sound Level:	70 dba	70 dba
<b>Productivity</b>		
Cleaning Width:	17" or 20"	20" or 23"
Cleaning Rate/Hour:	19,842 sq. ft./hour	22,491 sq. ft./hour
<b>Warranty</b>		
Tanks: 10 years / Parts: 3 years / Labor: 1 year		
<b>Optional Equipment:</b>		
• Spray Hose Attachment	• Heavy Duty Tires	
• Key Switch	• Vacuum Wand Attachment	
• Remote Scrub Wand	• Variety of Brushes/Pads	
• Linatex Blades	• E-Stop	



### INDUSTRIAL AIR SOLUTIONS, INC.

**Toll Free (USA) 1-877-844-3293**

P.O. Box 90246 • Raleigh, NC 27675  
 Raleigh 919-844-3293 • Fax 919-518-1667  
[www.industrialairsolutions.com](http://www.industrialairsolutions.com)  
 Email [info@industrialairsolutions.com](mailto:info@industrialairsolutions.com)